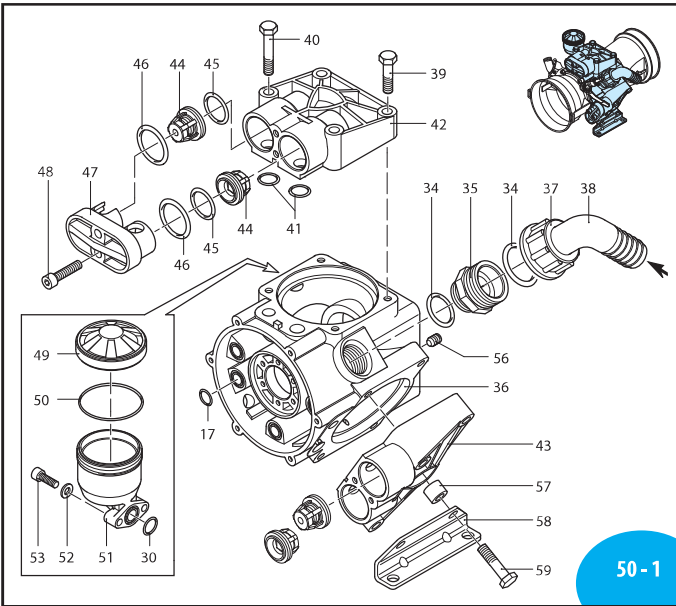
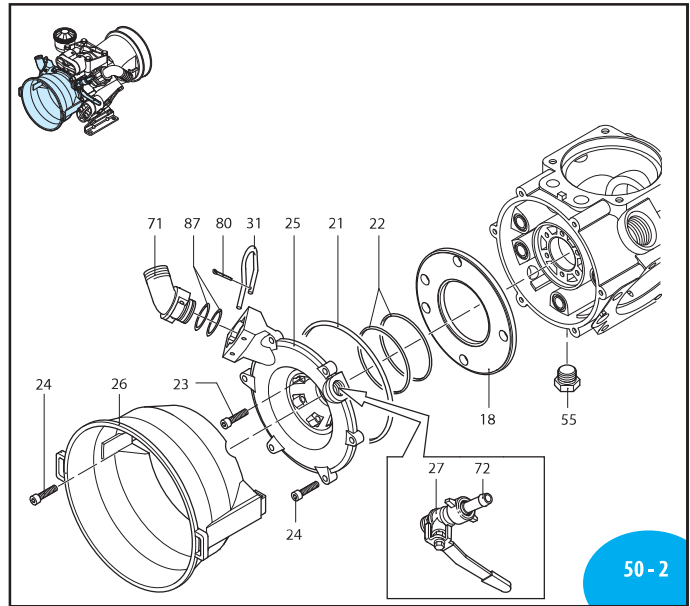


A.R. NORTH AMERICA

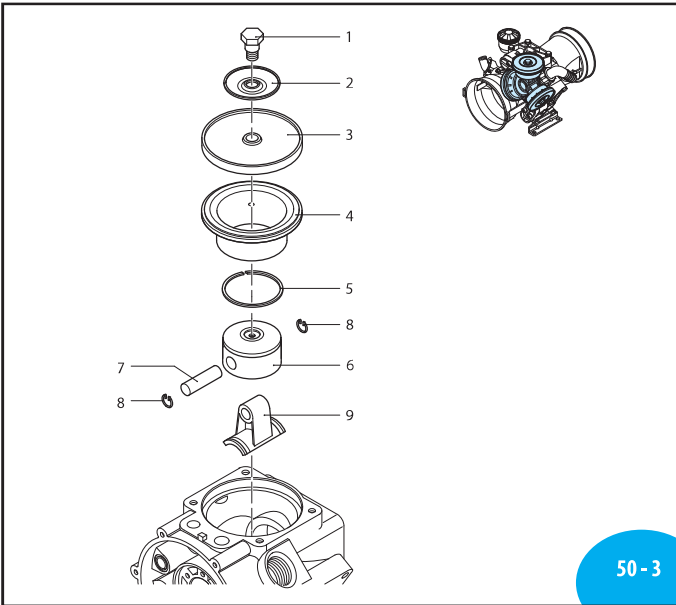
AR 503



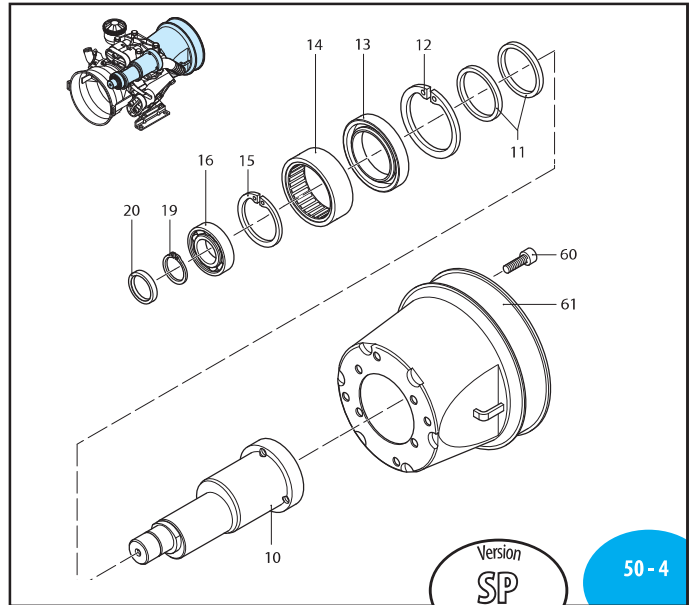
50 - 1



50 - 2



50 - 3



50 - 4



AR 503

	SP	GR3/4-GCI	GR3/4-GCH-A1	GRI-GCI	GRI-GCH-A1
AR503	31746	33084	31915	33083	31748

Pos	Code	Description	Qty	Note
1	580360	Hub pin	3	T265*
2	1040180	Retaining washer	3	
}	620080	Diaphragm	3	NBR
	620081	Diaphragm	3	Viton
	620085	Diaphragm	3	Desmopan
	620082	Diaphragm	3	BlueFlex™
	4	1300110	Sleeve	3
5	160230	Piston ring	3	
6	620120	Piston Ø 56	3	
7	380300	Pin	3	
8	380080	Ring circlip Øi 14	6	
9	1300140	Connecting-rod	3	
10	1300170	Shaft	1	(Z)
11	1300120	Ring connecting rod	2	
12	1300240	Ring circlip Øi 70	1	
13	1300220	Ring seal	1	
14	1300210	Bearing	1	
15	1260790	Ring circlip Øi 52	1	
16	180400	Bearing	1	
17	740291	O-ring Ø 14x1.78	5	Viton
18	1300020	Manifold	1	
19	1300050	Ring circlip Øe 25	1	
20	1300230	Ring seal	1	
21	1300270	O-ring Ø 126.67x2.62	1	
22	640030	O-ring Ø 59.99x2.62	2	
23	880280	Bolt TCEI M6x18	6	T90*
24	1040370	Bolt TCEI M6x22	6	T90*
25	1300030	Manifold manifold	1	
26	1500130	Shield	1	
27	130491	Ball valve 3/8" G - 1/2" G M-M DX	1	
30	390180	O-ring Ø 18.72x2.62	1	
31	1040690	Fork	1	
34	390290	O-ring Ø 29x3	2	
35	450120	Fitting 1" G - 1" 1/4 G M-M	1	
36	1300010	Pump body	1	
37	580060	Ring nut 1" 1/4 G	1	
38	580040	Elbow 1 1/4"	1	
39	200230	Bolt TE M10x45	4	T400*
40	640230	Bolt TE M10x60	4	T400*
41	480441	O-ring Ø 17.13x2.62	6	Viton
42	1300101	Head marked DX	2	
43	1300102	Head marked SX	1	
44	1409050	Valve	6	
45	620030	O-ring Ø 25.80x3.53	6	
	620031	O-ring Ø 25.80x3.53	6	Viton
46	540361	O-ring Ø 33.14x2.62	6	
47	1300190	Plug	3	

Pos	Code	Description	Qty	Note
48	620610	Bolt TCEI M8x30	6	T180*
49	1040326	Plug black	1	
50	650920	O-ring Ø 53.65x2.62	1	
51	1040310	Oil sight glass	1	
52	550331	Washer	2	
53	850850	Bolt TCEI M6x30	2	T90*
55	880530	Plug 3/8" G	1	T180*
56	770070	Bolt M10x10	1	T90*
57	1300280	Spacer	2	
58	1300090	Base	2	
59	1300360	Bolt TE M10x65	4	T400*
60	820670	Bolt TCEI M10x16	4	T90*
61	1500350	Shield	1	
63	650250	Key	1	
68	650300	Coupling	1	
69	961340	Washer	1	
70	680350	Bolt TCEI M8x35	1	T180*
71	1040761	Fitting 3/4" NPT M	1	
72	110131	Ring nut 1/2"	2	
80	1040950	Split pin	1	
87	390180	O-ring Ø 18.72x2.62	2	☒

* Torque: in-lbs +/- 10%

Medium pressure

AR 43294 NBR diaphragms	
AR 43297 BlueFlex™ diaphragms	
AR 43295 Desmopan diaphragms	
Pos.	Qty
3	3
41	6

AR 1987 Valves	
Pos.	Qty
44	6
45	6
46	6

AR 1984 O-Rings	
Pos.	Qty
17	6
21	1
22	2
30	3
34	2
41	6
45	6
46	6
50	1

Suggested oil	
Type	Oz
AR64532D	32

Crankcase Oil
Capacity 22 oz